

**AUTOMATIC "C" SERIES
AUTOMATIC "C" SERIES
AUTOMATIC "C" SERIES
AUTOMATIC "C" SERIES
AUTOMATIC "C" SERIES**

instruction manual for

**AUTOMATIC "C" SERIES
SNACKS**



Automatic Products Company

75 WEST PLATO BLVD. • ST. PAUL, MINNESOTA 55107

	Page
WARRANTY	ii
SPECIFICATIONS	ii
CAPACITIES	1
INSTALLATION	3-5
COMPONENTS	5-7
CLEANING	7
PARTS LIST	
Door Assembly	8-9
Cabinet	10-11
Snack Shelf	12-13
Candy Shelf	14-15
Delivery Bin	16
Main Junction Box	17
Cabinet-Base	18-19
Bill Validator Cabinet & Base	20-21
SCHMATIC	22
LOGIC BOARD PIN CONNECTIONS	23
CONNECTORS	24
NOTES	25-26



This document is available free of
charge to our customers at
www.automaticproducts.com

NOTICE

PLEASE READ

This machine is designed as a counter top vendor. For safety purposes the vendor should always be attached to the counter or placed and attached to the base cabinet that is built by Automatic Products Intl. Ltd.. Hardware and instructions are provided with the base cabinet.

If a base cabinet is not being used the person installing the vendor should mount the vendor to the counter to secure it. You must provide your own hardware for this.

PLEASE READ

EXPRESS WARRANTY

Automatic Products international ltd. (APi) expressly warrants these automatic merchandisers (the "Unit"), manufactured by it, to be free under normal use and service from defects in material or workmanship for a period of two (2) years from the date of delivery of this Unit to the original purchaser. This warranty extends only to the original purchaser of the Unit. The exclusive remedy for this warranty is limited to the repair or replacement, at APi's sole option, of any part or parts of the Unit that are returned to APi or to the authorized dealer or distributor of APi from whom the unit was purchased with all transportation charges prepaid, and which, on APi's examination, shall, conclusively appear to have been defective. This warranty does not:

- a. extend to any Unit, or part thereof, that was subjected to misuse, neglect, or accident by other than APi after its delivery to the original purchaser;
- b. extend to any Unit, or part thereof, that was modified, altered, incorrectly wired or improperly installed by anyone other than APi or used in violation of the instructions provided by APi;
- c. extend to a Unit which has been repaired or altered by anyone other than APi or authorized dealer/distributor;
- d. extend to a Unit which has had the serial number removed, defaced or otherwise altered;
- e. extend to plastic or glass windows, lamps, fluorescent tubes and water contact parts;
- f. extend to any unit used outdoors;
- g. extend to accessories used with the Unit that were manufactured by some person or entity other than APi.

APi DISCLAIMS ALL OTHER WARRANTIES OF ANY KIND AS TO THE UNIT AND ALL WARRANTIES OF ANY KIND AS TO ANY ACCESSORIES. THIS DISCLAIMER OF WARRANTIES INCLUDES ANY EXPRESS WARRANTIES OTHER THAN THE LIMITED WARRANTY PROVIDED ABOVE AS TO THE UNIT AND ALL IMPLIED WARRANTIES OF MERCHANTABILITY AND FITNESS FOR A PARTICULAR PURPOSE AS TO THE UNIT AND ANY ACCESSORIES. UNDER NO CIRCUMSTANCES SHALL APi BE RESPONSIBLE FOR ANY INCIDENTAL, CONSEQUENTIAL OR SPECIAL DAMAGES, LOSSES OR EXPENSES ARISING FROM OR IN CONNECTION WITH THE USE OF, OR THE INABILITY TO USE, THE GOODS FOR ANY PURPOSE WHATSOEVER. APi or any other person is authorized to assume for APi, or agree to on behalf of APi, any other liability or warranty in connection with the sale of this unit.

APi reserves the right to make any changes or improvements in its products without notice and without obligation, and without being required to make corresponding changes or improvements in Unit theretofore manufactured or sold.

The "C" Series vending machines have been designed from superior engineering and quality throughout for the small-site market. The modular units will compliment nearly any company's break area. The complete system takes less than 21 square feet of space. (Note: For indoor use only.) **CAUTION: THIS MACHINE IS DESIGNED FOR INDOOR USAGE ONLY. ANY OTHER USAGE MAY VOID THE MANUFACTURERS WARRANTY.**



All equipment manufactured by Automatic Products intl. Ltd. is designed to work properly in a temperature range of 10°C to +38°C (50°F to 101°F) in still air (75% R.H. non-condensing). The unit is capable of being stored in a temperature range of -18°C to +68°C (0°F to 155°F), provided proper precautions are taken for machines that contain a water system to prevent physical damage to components due to freezing, and that the machine is not stored in direct sunlight.

To achieve the most economical trouble-free operation from your "C" Series machine, it is recommended that this service manual be thoroughly read and instructions followed pertaining to all loading and servicing, etc., of the vendor.

Should you have any questions pertaining to this manual or the vendor, please contact your local Automatic Products Company distributor or write directly to:



Unless otherwise **specified** machine will be shipped with spiral assortment shown below.
 Figures in circle represent capacities in each spiral.



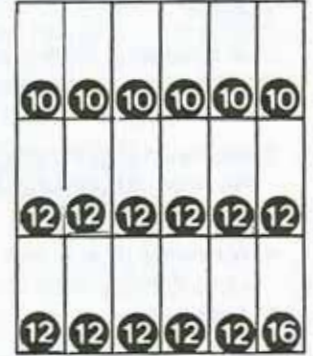
MODEL CS09
 Capacity as shown: 78 units



MODEL CS12
 Capacity as shown: 126 units



MODEL CS15
 Capacity as shown: 166 units



MODEL CS18
 Capacity as shown: 208 units

PRODUCT SIZE CAPABILITY

Shelves	Height	Width of Snack Shelves Only	Width of Candy Shelves Only	Depth of Snack Spirals Only Choice:	Depth of Candy Spirals Only Choice:
Top - Snack	7-1/8	2-1/2 - 5-1/4		4 - Item Spiral 3"	3 - Item Spiral 6-15/16"
Middle - Snack	6-3/4	2-1/2 - 5-1/4		6 - Item Spiral 2-3/32"	8 - Item Spiral 1-1/2"
Middle - Candy	6-3/4		1 - 2-1/4	8 - Item Spiral 1-9/16"	10 - Item Spiral 1-1/8"
Bottom - Snack	6-7/8	2-1/2 - 5-1/4		10 - Item Spiral 1-7/32"	12 - Item Spiral 15/16"
Bottom - Candy	6-7/8		1 - 2-1/4		16 - Item Spiral 11/16"
					20 - Item Spiral 1/2"
Middle - Candy	6-3/4		1 - 2-1/4		3 - Item Spiral 3-15/16"

www.automaticproducts.com

SPECIFICATIONS

HEIGHT – 35" WIDTH – 26³/₈" DEPTH – 27³/₈"
 POWER REQUIREMENTS – 115 V., 60 HZ.
 STANDBY AMPERES – .7 OPERATING AMPERES – 3
 SHIPPING WEIGHT – 190#

unpacking

The Snack machine is assembled and packed so that a minimum amount of time is necessary for preparation to install it on location.

1. **Shipping Damage.** Thoroughly inspect the exterior of the carton for damages which may have occurred during shipment.
2. **If Shipping Damage is Noticed,** save the carton, notify the delivering carrier immediately and follow their instructions on how to file a damage claim.
3. **Removing Both Shipping Bands** nad lift off the carton. Remove all packing tape from the various areas if the machine.
4. **Warranty.** The warranty card, located in the service envelope, must be filled out in full and mailed at once to insure coverage.

◆ **IMPORTANT: A set of anchoring brackets are sent with each machine. The kit is located in the bottom of the machine complete with instructions. It is recommended that this kit be installed to prevent shifting of the machine. Part # 660438**

◆ **WATCH THROUGHOUT THE MANUAL FOR THIS SPECIAL ◆ DIAMOND MARK. THIS INDICATES A POINT OF SPECIAL INFORMATION OR A HINT THAT WILL ASSIST YOU IN SETTING UP, OPERATING OR TROUBLESHOOTING THE MACHINE.**



CAUTION: Certain procedures in both the operating section and the service section require that voltage be on in the machine. Only trained personnel should perform this function. Exercise extreme caution while performing these procedures. These procedures will be marked with the lightening bolt symbol as it appears at left.



CAUTION: Certain procedures in both the operating section and the service section requires a qualified trained technician to perform the particular task at hand. These procedures will be marked with the exclamation symbol as it appears at left.

Serial Number Definition

Automatic Products int'l ltd. has introduced a new serial numbering method to permit better tracking of machines, and any changes that occur. This information is being provided to you so that you understand the information contained in the serial number, and so that when you are making an inquiry about a specific machine, or require a warranty replacement, that you provide us with the complete serial number. The location of the serial number plate in the machines has not changed. The serial number plates are located inside the machine in the upper right hand corner of the cabinet, and adjacent to the power cord on the back of the cabinet.

It is essential that the complete serial number be reported when reporting any problems or claiming any warranty replacements.

The new serial number format is explained in the example below:

1	2	3	A	9	9	3	6	5	0	0	1
↑ ┌───┐ │ │ └───┘			↑ ┌───┐ │ │ └───┘			↑ ┌───┐ │ │ └───┘			↑ ┌───┐ │ │ └───┘		
									Sequential build Number starts at 001 each day		
						Numerical Day of the Year - Jan 1st = 001, Dec 31 = 365					
Year 99 - Last two digits of year											

First Digits indicate model, example shown is a 123A Glassfront Merchandiser - The machine identification may contain up to six characters dependent upon the model.

Suffixes

- A** - indicates all design changes incorporated upon the introduction of the new chiller unit
- C** - indicates a chilled machine
- E** - indicates a machine built specifically for export outside North America

1. **LEVELING THE MACHINE** on location is important for the proper function of the machine. The four leveling legs are the means of leveling the machine. After positioning the machine on the base cabinet or table top, level the machine in front and rear and right to left directions. **IMPORTANT:** A set of anchoring brackets are sent with each machine. The kit is located in the bottom of the machine complete with instructions. It is recommended that this kit be installed to prevent shifting of the machine.



CAUTION: THIS MACHINE IS DESIGNED FOR INDOOR USAGE ONLY. ANY OTHER USAGE MAY VOID THE MANUFACTURERS WARRANTY.



CAUTION: THE FOLLOWING PROCEDURE REQUIRES THAT THE MACHINE HAVE POWER APPLIED AND A POTENTIAL ELECTRICAL SHOCK HAZARD EXISTS.

2. **THE MAIN POWER CORD** is taped in the back of the snack machine. Plug the 3 pin grounded line cord into a properly grounded 120V outlet only.

VOLTAGE AND POLARITY CHECK. It is important that this machine is hooked up to the proper voltage and polarity. Using a voltmeter, perform the following checks from the illustration below.

A. C. HOT	(B)		(A) to (B) = 117 VAC (+/-10%)
A. C. NEUT	(A)		(A) to (C) = Less than 1 VAC
EARTH GROUND	(C)		(B) to (C) = 117 VAC (+/-10%)

NOTE: Should the readings be different from above, have a certified electrician correct the problem.

3. **LOADING SNACK SHELVES:** open the door to full open position. Grasp the middle of a snack shelf and slightly lift it upward. Pull the shelf forward until it reaches its stop. The top two shelves tilt down to make loading easier. **Only one product shelf should be in the loading position at a time.** Begin loading with the top shelf. When returning a shelf make sure the shelf is in its home or vend position. Loading soft items such as pastry, pies, etc. should be placed in the lowest snack shelf possible to prevent product damage.

◆ **IMPORTANT:** Product must not be forced into the spiral spaces but should fit freely. If the product is too tight, use a larger pitch spiral. The bottom of the product should be placed on top of the spiral wire that rests on the shelf surface (see Figure 1). The width of the product must be greater than the diameter of the snack spiral. If it is smaller, the product may fall through when it is in the front, ready to vend position.

4. **Removal of Spiral.** Grasp the front of the spiral and turn it clockwise. Lift the spiral up and off of the spiral lock. When replacing a spiral attach it around the tab on the

spiral lock and turn the spiral counterclockwise to lock it in place. Be sure the front end of the spiral is positioned properly (with the front end of the spiral pointing downward on the left side) (see Figure 2). The spiral lock is attached between the spiral retainer tabs. Give a light forward pull on front of the spiral to check if it is locked in place.

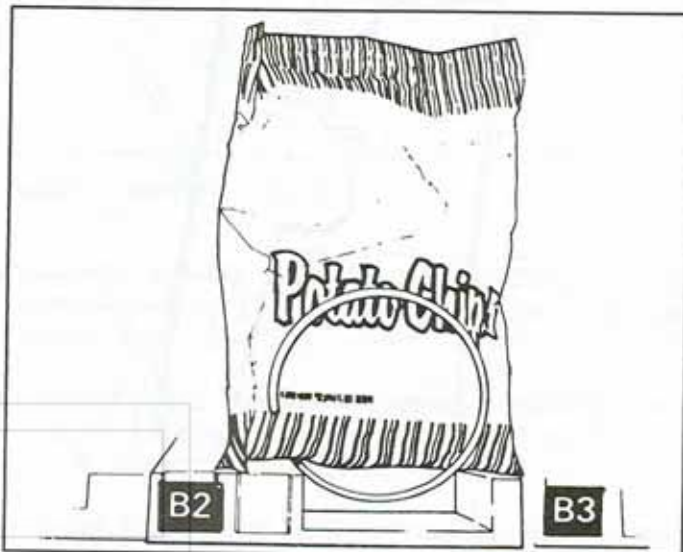


Figure 1. Placement of product on main product snack shelves and front end position of spiral.

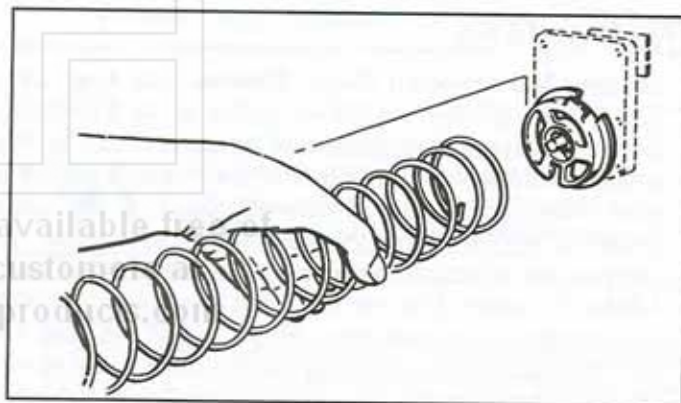


Figure 2. Removing and installing spiral.

5. **Product Spacers, 3-Selection Shelf.** A product spacer is used to reduce the width of the product area and should be used on any 3-selection snack shelf where the product width is 4-1/2" or less. Spacers should fit within 1/8" of the product but should not fit tight against the product. There are three positions in each snack space where these spacers can be placed. To install the spacer, align the lock ears (on the lower edge of the spacer) with one of the three sets of slots (one front and one rear). (see Figure 3). Push the spacer to the rear to allow the ears to enter the slots, then allow the spacer to move forward. Be sure the ears are in the same set of slots, front and rear. (see Figure 3). Continue loading all spirals adjust with spacers where needed in the top shelf. Return the top shelf to the vend position and following this procedure load the remainder of the snack spiral shelves.

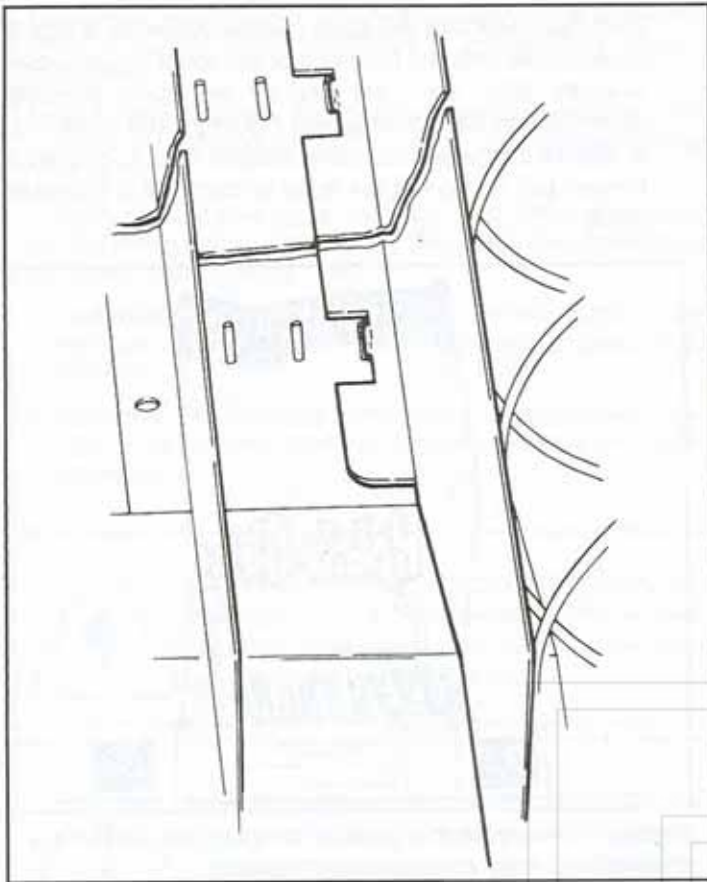


Figure 3. Alignment of moveable product spacers.

6. **Loading Main Product Candy Shelves.** The 6-selection (candy type) shelves are loaded similar to the 3-selection shelves, except that the bottom of the product sits on the shelf in front of the spiral wire (see Figure 4) that rests on the shelf. These products must also fit properly in the spiral space; do not force product into spiral. These spirals are removed and installed the same as the large spiral (see Figure 2), except that the front end position is different (approximately 5 o'clock) (see Figure 4) and the front left side of the spiral must be behind the small tab located on the left side of the product space side wall. (see Figure 4, Detail A).

7. **Product Pusher.** The machine contains enough pushers for you to install a pusher on each candy spiral. This plastic part is designed to push the top of the product forward while it is vending, helping it to fall from the shelf. It can also be used with products that have the wrapper end flap on the outside of the package. In this case, the pusher prevents these products from hanging on the spiral by spreading the flap. The pusher is installed approximately 210 degrees from the front end of the spiral with the tab extending forward. (see Figure 5). Locate the pusher in its proper position, holding it against the spiral wire and push the semi-circular part around the spiral wire. Note: Not every selection spiral will need a product pusher. (Example - Box Items).

8. **Bagged or Boxed Items** in the 6-selection shelves if not loaded properly could be a problem. The sealed edge of the bag may get under the spiral wire causing the product to hang

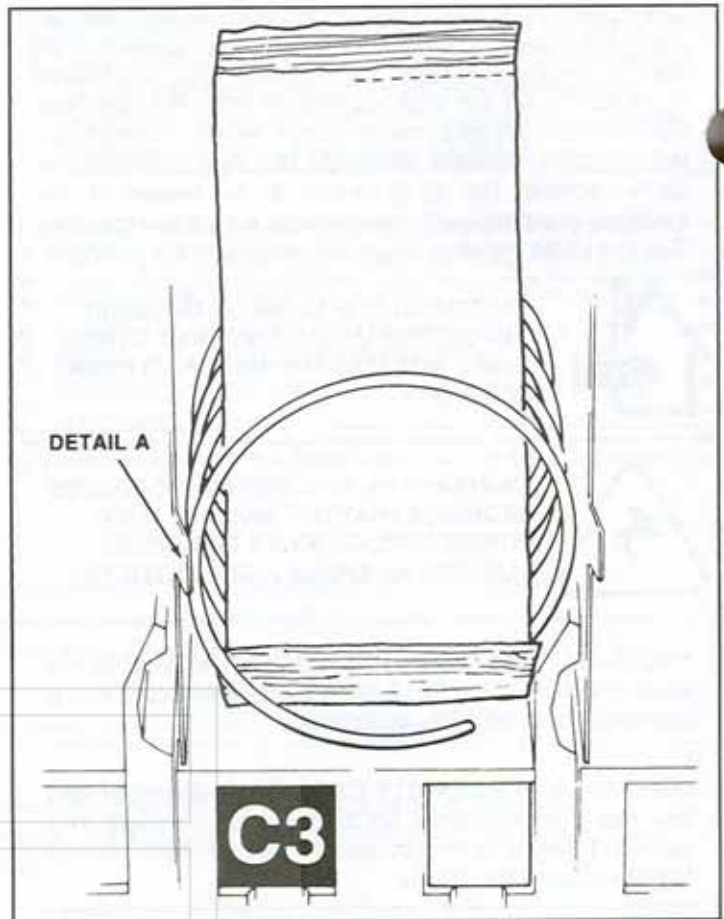


Figure 4. Placement of product on main product candy shelves and front end position of spiral.

up after it has been vended. It is recommended that the lower edge of these types of product be folded forward and up (see Figure 6) next to the product before inserting into the spiral space. It is also recommended to use a 10 count spiral for bagged items because of the product settling to the bottom of the package.

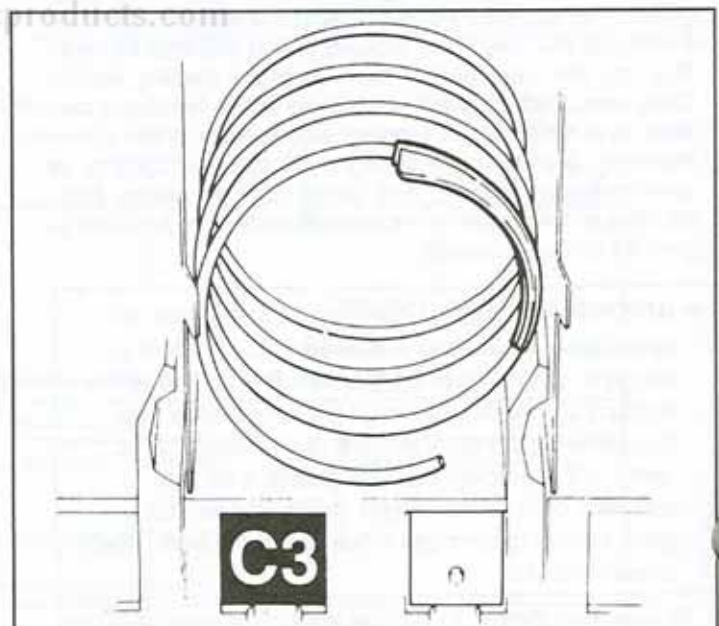


Figure 5. Location of product pusher on spiral.

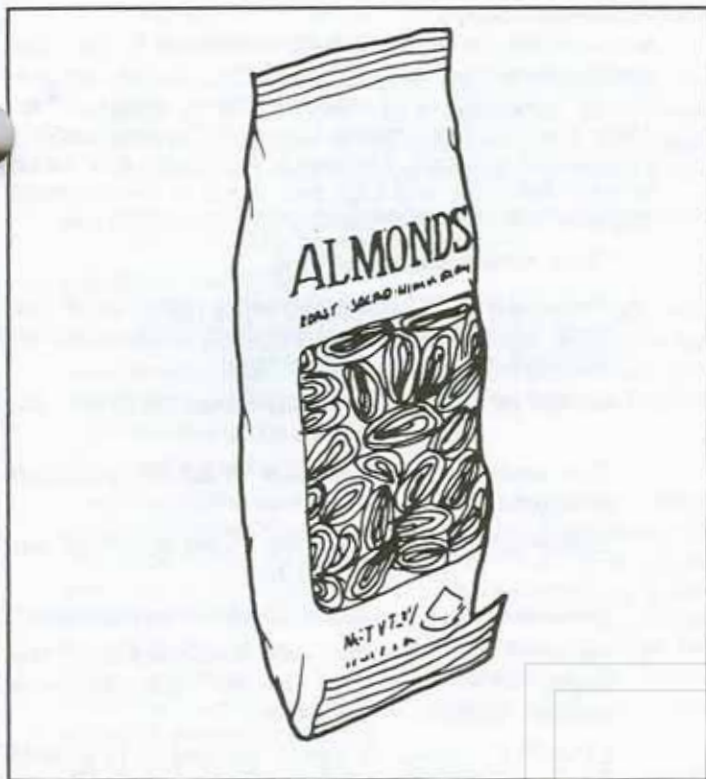


Figure 6. Fold bagged items bottom edge forward and up.

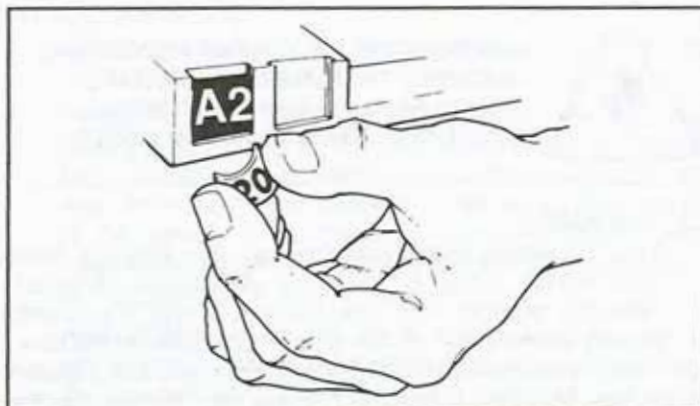


Figure 7. Installing price tabs.

9. **Cigarette Vending.** Cigarettes can be vended from the candy shelves using the (10 capacity) spiral for the soft pack regular, king, 100mm or 120mm packs or (box) packs.
10. **Lock Product Shelves.** After all the product has been loaded, be sure all shelves are returned to their vend position behind the front roller guide.
11. **Install Proper Price Tabs** into price tab holder for each selection in the main product area. (see Figure 7).

components


INTRODUCTION

The Snackshop "C" series vending machines are designed for the small-site market. The snack machine contains a coin mechanism (24 volt) and selection control unit. These components will enable the machine to function properly and give you an option to add a cold can drink, currency validator, or coffee machine for a complete system. This can be done by just plugging them into the back of the snack cabinet.

The new control board available in the C-Series, which includes a number of changes to provide additional selections, on board accountability and a cup sensor discount. All of these additional features are supported by the new 'Universal' board which will also be used in the AP211. The information contained in this documentation regarding these improvements supersedes any information contained in the current manual.

IDENTIFICATION & INTERCHANGEABILITY

The Universal Control board is physically different from its predecessor, however it is interchangeable and can be retrofitted, except the metal cover which must be changed to a new cover because of the physical change to connectors and the addition of a large capacitor to the board. In addition, the instruction glass must be changed to permit four digits to appear. The microprocessor on the board has a **BLUE** label and will be marked 922286-3. The Universal board will support the following coin mechanism interfaces: TRC-6010 or coinco 93021, executive (Protocol A) and L+ (export controller mech). The configuration code set in channel 16, ③, must be set to 0.6 or higher. Configuration 0.6 is standard for all snack machines.



CAUTION: THE FOLLOWING PROCEDURE REQUIRES THAT THE MACHINE HAVE POWER APPLIED AND A POTENTIAL ELECTRICAL SHOCK HAZARD EXISTS.

1. POWER SUPPLY

The 120V VAC power cord from the wall outlet comes into the machine and plugs into the left side of the main interlock box located on the bottom hinge side of the machine. The other connections on the interlock box are for the transformer, lights, and power plug to the control board. All these connections are different so you cannot plug them in wrong. The 120V VAC cord goes to the toggle switch inside the box and then to the transformer which supplies two output voltages 24 VAC (11 & 12) and 10.6 VAC (13 & 14). These voltages then pass through their circuit breakers and up to the control board. The 24 VAC and 10.6 VAC goes to the top left plug on the main control board.

When removing any component be sure the power is off. Take special care when removing the control board. Do not lay the board on a metal surface.



CAUTION: THE FOLLOWING PROCEDURE REQUIRES THAT THE MACHINE HAVE POWER APPLIED AND A POTENTIAL ELECTRICAL SHOCK HAZARD EXISTS.

2. CHANGER

The "C" series snack machine can use either a Mars (TRC-6010), (TRC-6010XV) or a Coinco (9302-L), (9302LF) changer. Both changers are 24 volt. The changer may be mounted on the bracket provided on the door. Remove the changer hold down screw which was installed in this bracket for shipment. Hang the changer on the shoulder studs provided and replace the hold down screw to lock the changer in place. Be sure the changer cord is clear of the coin return lever operation.

3. MODE SWITCHES

The mode switches are located on the control board (see Figure 8). They allow for control of coin payout and setting of prices. The two mode switches used for coin payout are 10¢ (top) and 5¢ (middle). Pushing each individual switch allows payout from the changer of that coin. Pushing both mode switches at the same time allow payout of 25¢.

4. SELECTION PANEL

The selection panel (Figure 9) on the Snackshop "C" series incorporates the use of a self enclosed membrane switch panel. This eliminates the need for individual switches and wiring. The membrane switch panel is housed in a plastic housing. The housing also contains the instruction and digital display glass. Included on the instruction glass are three messages for customer instruction when the machine can not complete a vend for an item selected. If this condition occurs, an L.E.D. next to the proper instruction will flash until the customer takes further action.

5. VEND MOTORS

The "C" series snack machine incorporates the use of a high RPM-DC motor. The voltage used on the vend motors is 24 VDC. Do not test them with AC voltage and be sure polarity is correct or damage will result. The snack and candy motors are the same and may be interchanged. Due to the new design, the vend motor may no longer be homed by hand. **DO NOT TRY TO TURN THE SPIRALS BY HAND. DAMAGE TO THE MOTOR WILL RESULT.** It is also important to check polarity before applying current to the motor. Two diodes and a capacitor are used to prevent circuit feedback and may have to be checked when trouble shooting motor problems.

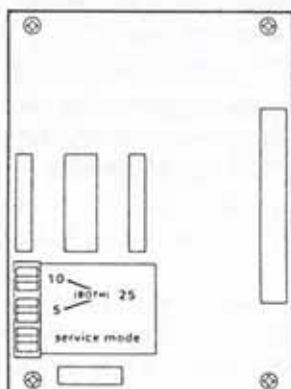


Figure 8. Mode switches

6. ACCOUNTABILITY

Accountability is now internally contained in the non-volatile memory on the logic board. This function was previously supported by 3 external meters, which will no longer function. This internal accountability now supports as individual readings: total vends, total cash, total vends for each selection, and total tree vends in nonresettable counters. The steps for obtaining this information are:

1. Press service switch one time.
2. Press ⑤ the display will alternately show the left four digits followed by the right four digits of the total cash accepted including a decimal point.

EXAMPLE: Press ⑤ display shows 0000 then display shows 03.40.

This would represent a total of \$3.40 total cash accepted.

EXAMPLE: Press ⑤ Display shows 0000 then display shows 03.40.

This would represent a total of \$3.40 total cash accepted.

3. Press ⑤ followed by the letter A followed by D. The display will show **Ad**, and then the display will show the total vends for all selections.

EXAMPLE: Press ⑤ then A followed by D. Display shows **Ad**. Display will show 0000 then display shows 0053.

This would represent a total of 53 total vends.

4. Press ⑤ followed by a selection code and the total number of vends for that selection will be displayed.

EXAMPLE: Press ⑤ then A1. Display will show 0025.

This would represent a total of 25 vends of selection A1. Step 4 can be repeated as many times as required.

5. Press ⑥ and display will indicate the total number of free or executive key vends.

EXAMPLE: Press ⑥ and display will show 0000 then display will show 0019.

This would represent a total of 19 free vends.

◆ **NOTE:** Counters for vends by selection and total free vends are limited to 4 positions and will reset to 0000 after 9999.

7. PRICE SETTING

A new feature has been added to the price setting function. Normal pricing is done by entering the service mode by pressing the service switch one time, and entering a selection code (example-D1), and the current assigned price will be shown in the display. To change the price, press and hold the 7 or 8 key to increase or decrease respectively. The new feature is a lower case "d" located between 00.00 and 99.95. Setting a selection to a price of "d" will disable the selection, and cause the "MAKE OTHER SELECTION" LED to light when a customer attempts to select it.

8. TEST VEND OPERATION

To set a selection for a test vend the mode switch on the control board must be pressed.

- A. Press the #4 button on the selection panel and the L.E.D. will show three lines (---).
- B. Enter the selection to be tested. (Example: C3). As soon as this is done that selection will cycle once. Making a selection with a defective motor or a selection not in the machine that selection will be ignored.
- C. Press the mode switch button on the control board to put the machine back into operation.

9. LIGHTING SYSTEM

There is only one fluorescent lamp in the Snack Machine. The lamp is located in the top of the door, and lights the main product area. The starter is located on the right window side shield. The ballast for the circuit is located on the main interlock box.

10. MAIN PRODUCT SHELVES

There are three main product shelves per machine, each containing either three or six selections. Each selection has its own motor mounted to the back of the shelf. Every shelf has its own harness and plug for connecting to the remainder of the circuit through the cabinet receptacle, located in the left rear of the cabinet. The motors are the same on either type shelf. It is possible in the Snack Machine to exchange a three selection shelf with a six selection shelf or visa versa.

NOTE: The snack machine can contain up to three candy shelves. A candy shelf placed in the "A" selection position restricts the use in conjunction with a slave (machine without a changer) cold can drink.

NOTE: When exchanging the shelves, you will not need any parts, but you will have to reprogram the machines for prices and selections.

REMOVAL OF PRODUCT SHELF:

- A. Lift up and pull the shelf to its loading position.
- B. Grasp shelf in front and rear center. Lift front of shelf up above horizontal and pull shelf forward while lifting.
- C. To install shelf, reverse above procedure.

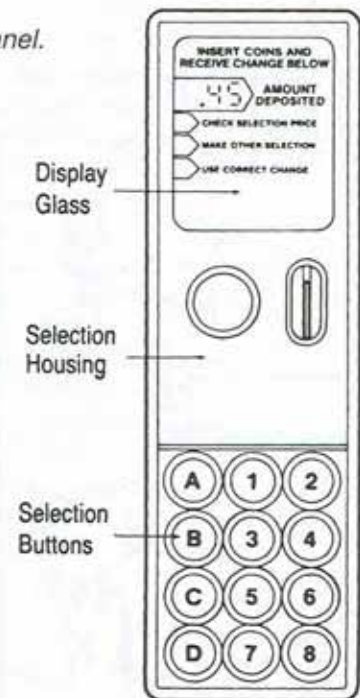
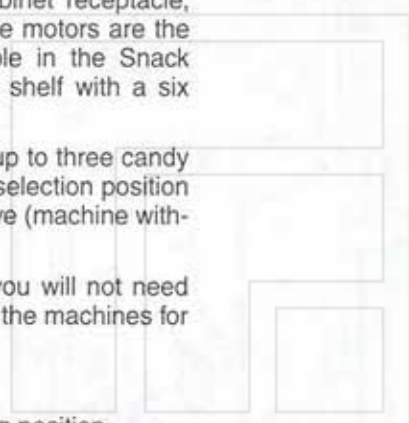
11. DELIVERY BIN

This is located below the display window on the door and is mechanically operated.

REMOVAL OF DELIVERY BIN: Remove inner product deflector by sliding up through the notches on the bin back. Remove the two delivery bin anchor straps from the door. Remove the two screws holding the left side bracket of the delivery bin to the door. Using the bottom guide holes of the delivery bin remove two more screws. Lift the bin up and off of the lip of the door.

REPLACEMENT OF DELIVERY BIN: Locate the two lips on the front of the door. Slide the delivery bin onto it. Align the two delivery bin anchor straps with their respective holes. Replace the two screws on the left side bracket. Replace the last two screws using the lower delivery bin guide holes. Reinstall product deflector.

Figure 9. Selection panel.



cleaning

The Snackshop "C" series will do the best merchandising job for you if it is kept clean. The display window can be cleaned with any good glass cleaner. The exterior and interior surfaces should be cleaned with warm water and mild detergent. Rinse thoroughly and dry all surfaces.

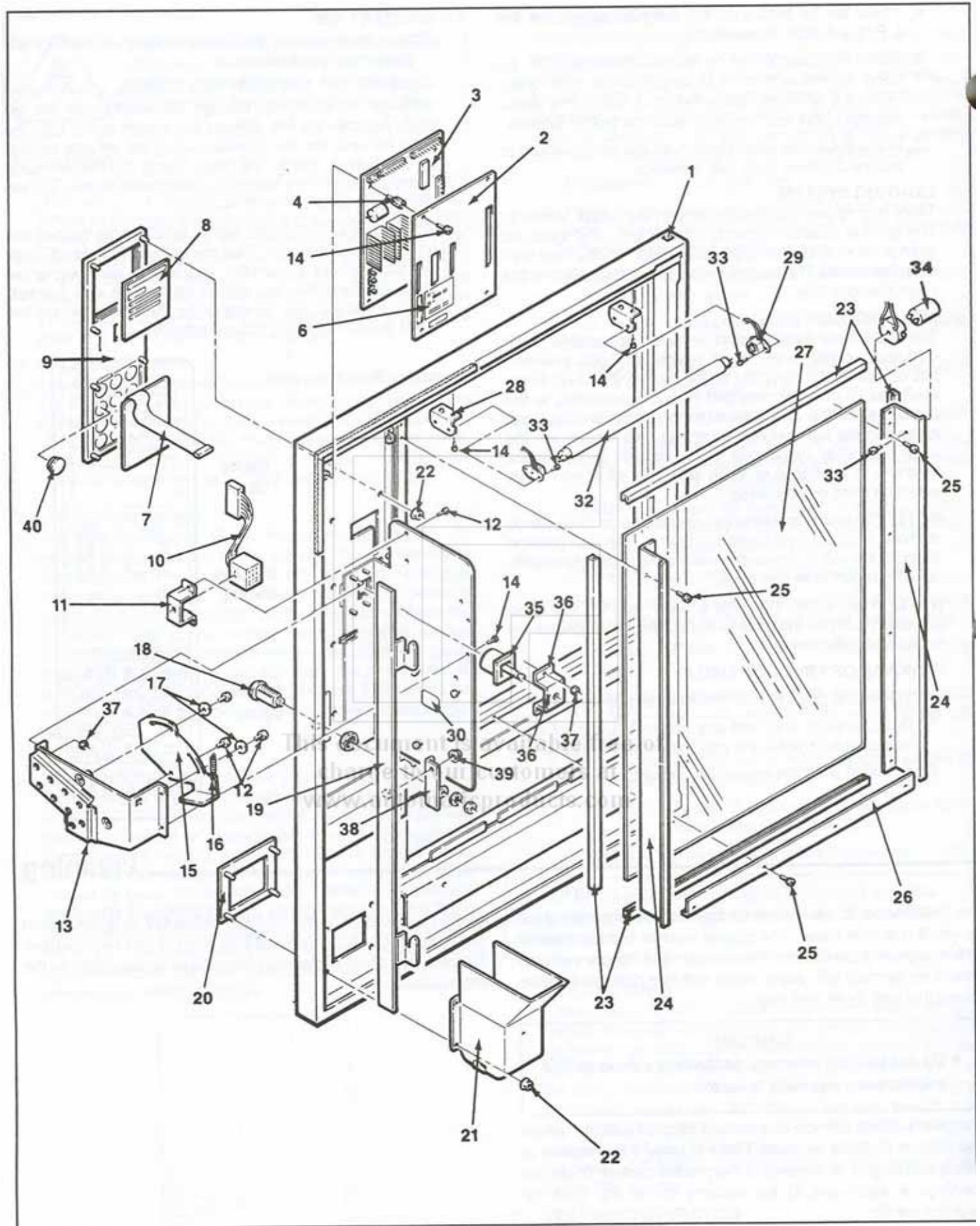
CAUTION:

◆ Do not use any cleaners containing silicon as this could cause electrical failures.

The main product shelves can be best cleaned with the spirals and product spacers removed. Refer to page 3 for removal of spirals and page 4 for removal of the product spacer. There are openings in each end of the delivery bin at the back for cleaning out dirt.

Clean the acceptor on the changer frequently as accumulated dirt in this area can cause coins to hang or not be accepted. Follow recommended cleaning procedures as described by the manufacturer.

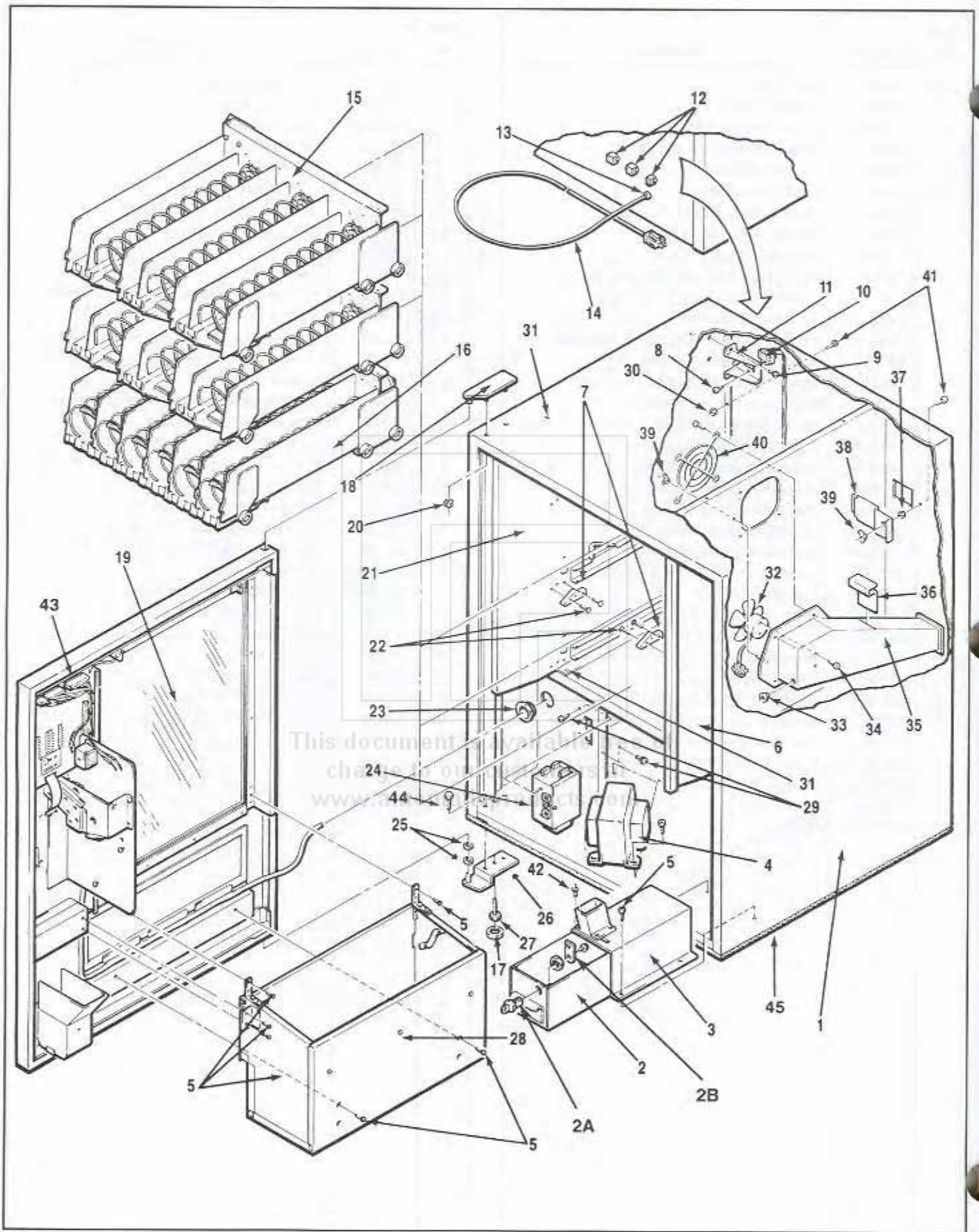
door assembly



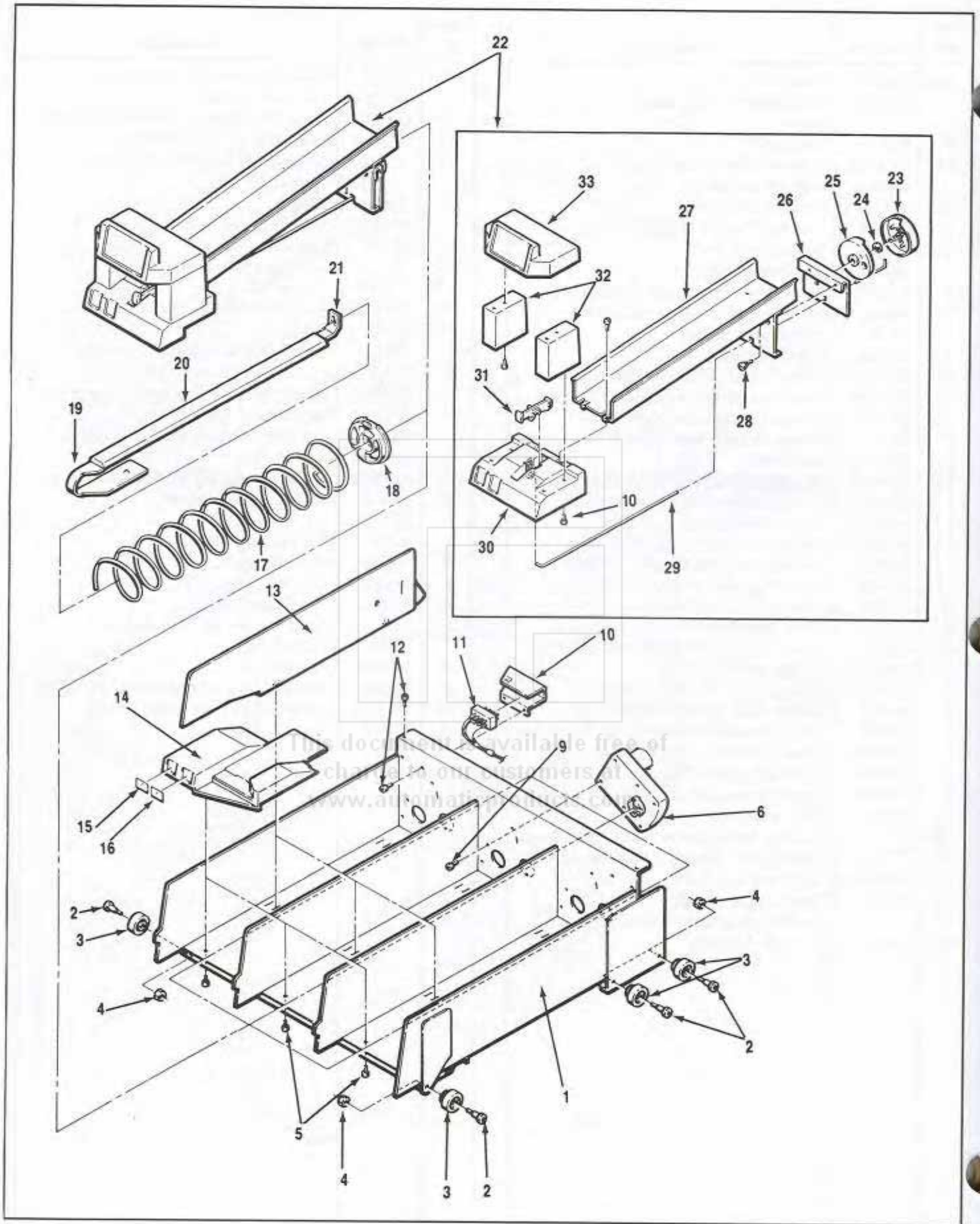
Item No.	Part No.	Description
1	600481	Door Only
2	202424	Control Board Cover.
3	360205	Control Board w/MDB
	380302	Mode Buttons. (not shown)
	680576	Harness MDB only
4	300182	Control Board Spacer.
6	460726	Decal, Control Board Instruction.
7	750130	Selector Switch and Plate.
8	750166	Instruction Glass W/Decal.
	460532	Decal, Black Only. (Use to Cover up Coffee Instructions)
	440317	Instruction Glass Only.
	440315	Instruction Glass. England & Australia.
	440320	Instruction Glass. German.
	440321	Instruction Glass. Dutch.
	440330	Instruction Glass. French.
	440347	Instruction Glass. Italian.
	440357	Instruction Glass. Spanish.
	440361	Instruction Glass. Swedish.
	440369	Instruction Glass. Mexico.
	440352	Instruction Glass. Danish.
	17400004	Instruction Glass. Russia.
	17400006	Instruction Glass. Hungary.
9	660357	Assembly Complete. Selection Trim.
	440291	Selection Trim Only.
10	680421	Harness, Changer Interconnect. 15 Pin.
	680365	Harness, Changer Interconnect. Export Only.
	680576	Harness, Changer Interconnect. MDB.
11	202024	Changer Socket Bracket. 15 Pin.
12	276-8R6	Screw, Pan Hd. Phillips Self-Tap (8-32 x 3/8).
13	660374	Assembly Complete. Door Coin Chute.
	600485	Door Coin Chute only.
14	276-6R4	Screw, Pan Hd. Phillips Self-Tap (6-32 x 1/4).
15	201640	Rejector Lever.
16	400034	Return Spring.
17	420010-9	Washer.

Item No.	Part No.	Description
18	420020	Door Lock w/2 Keys.
	420020-1	Door Lock w/Key.
	420020-2	Door Lock Only.
	420110	Van Lock.
	420111	Flex Ace Lock w/collar
19	600572	Door Locking Bar.
20	440296	Trim Coin Return. Black Plastic.
21	201156	Coin Cup Door.
	600474	Coin Cup.
22	18443	Palnut (1/4).
23	460436	Window Gasket (order # of inches needed).
24	201633	Window Side Shield.
25	200-6R6	Screw Rd. Hd. Phillips Type A (6-18 x 3/8).
26	201639	Clamp Lower Window.
27	440298	Window (20-7/8 x 16-13/32 x 1/8).
		Note: Replacement Glass must be Hard Tempered or Lexan only.
28	201605	Lamp Socket Brkt.
29	660424-1	Harness with Bracket.
30	460418	Changer Caution Decal.
31	460041-1	Insulation Foam (1/4x 1/4x 60).
32	380022-3	Fluorescent Lamp (F8-T5 CW-12).
33	276-4R7	Screw. Pan Hd. Phillips #23 (4-40 x 7/16).
34	380023-3	Starter (FS-5).
	380023-4	Starter (FS-11). Export Only.
35	440289	Coin Return Button.
36	201634	Coin Return Button Support.
37	404-8	Hex Nut (8-32).
38	640173	Assembly, Lock Cam.
39	420217	Washer. Push on Fastener.
40	440304	Selector Button (Qty. 12)

This document is available free of charge to our customers at www.automaticproducts.com

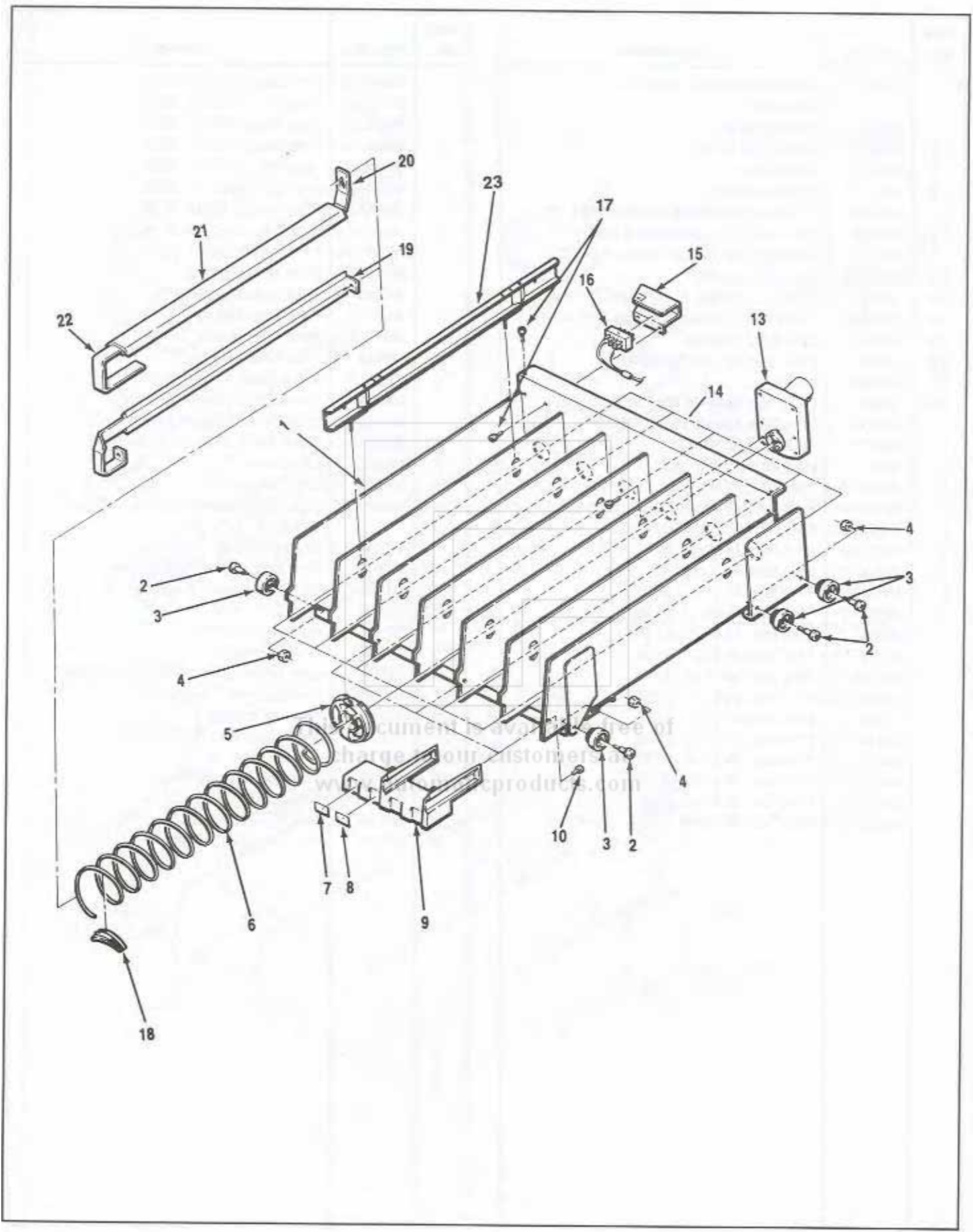


Item No.	Part No.	Description	Item No.	Part No.	Description
1	750131 201756	Cabinet Only. Inside Bonom Cabinet Base Pan Liner. (not shown)	21	660465 600469	Assembly Complete. Left Side Panel. Left Side Panel Only.
2	600467	Cash Box.	22	276-8R12	Screw, Pan Hd. Phillips Self-Tap (8-32 x 3/4).
2A	750097-2 420020	Lock and Cam w/2 Keys. Lock Only w/2 Keys.	23	420040-4	Snap Bushing (1 5/16 diameter).
2B	3100005	Lock Cam Only.Short	24		See Page #17 for Itemized Parts. Main Junction Box.
3	640136	Cash Box Mounting Bracket w/Chute.	25	420010-17	Washer.
4	360176 360177	Transformer Transformer. Export Only.	26	640160	Assembly, Lower Hinge.
5	276-8R6	Screw, Pan Hd. Phillips Self-Tap (#8 x 3/8).	27	300174	Leg Leveler.
6	660348 600468	Assembly Complete Right Side Panel. Right Side Panel Only.	28		See Page #16 for Itemized Parts. Delivery Bin.
7	440130	Front Roller Guide.	29	276-8R6B	Screw Pan Hd. Sems #23 8 x 1/4.
8	420089	Screw, Flat Hd. Phillips 100° (6-32 x 1/2).	30	404-8	Nut. #8.
9	276-8R4	Screw, Pan Hd. Phillips Self-Tap (8 32 x 1/4).	31	333-8R7	Screw Truss Hd. Phillips Taptite (8-32).
10	660464 660464-1	Harness Complete. Back Cabinet to Door. Harness Complete. Back Cabinet to Door. Export.	32	660461-2, 660461-4	Kit, Complete, Ventilating Fan. Kit, Complete. Ventilating Fan. Export Only.
11	600470	Shelf Socket.	680313-4	Assembly, Fan Complete Only.	
12	680343 680409 440326 440326-2 680362 460498 202256 202255	Harness, Snack to Cold Can Drink Machine. Harness. Interconnect "C" Double Can. Picture Price Strip (A ₄ , A ₅ , A ₆ , A ₇) Picture Price Strip (B ₄ , B ₅ , B ₆ , B ₇) Harness, Snack to Bill Validator Cabinet. Decal, Plug Identification (Not Shown). Harness Cover (Not Shown). Cover, Can & Validator.	680313-5	Assembly, Fan Complete Only. Export.	
13	460459	Adhesive Backed Coffee Hole Cover (Not Shown).	33	420040-6	Snap Bushing.
14	380052 360163 680501 660386 100-B41-2 630-416 380224 404-B41	Bushing, Strain Relief. Harness, Line Cord Set. 3 Conductor. Harness, Line Cord Set. Export Only. Complete Assembly. Grounding Parb. Export Only. Brass Screw (1/4 x 20 x 1 1/2) Qty.1. Lock Washer (1/4) Qty.1. Keeper Washer. Qty. 4. Brass Nut (1/4 x 20) Qty.4.	34	277-10R8	Screw, Pan Hd. Self-Tap (8-32 x 1/2)
15		See Page #13 for Itemized Parts. Pastry Shelf.	35	640118	Assembly, Fan Chute only.
16		See Page #15 for Itemized Parts. Candy Shelf.	36	201176	Fan Screen.
17	420177	Leg Leveler Cap. Rubber.	37	404-8	Nut, Hex Hd. (8-32).
18	640141	Assembly, Upper Hinge.	38	201382	Fan Hole Cover.
19		See Page #9 for Itemized Parts. Door-Inside.	39	420023	Wing Nut (8-32).
20	438-41	Nut, Keps (1/4 x 20).	40	380215	Fan, Finger Guard.
			41	335-8R6	Screw, Pan Hd. Tap-Tite Phillips. (8-32 x 3/8).
			42	420078-4	Pop Rivet.
			43	680395	Harness. Snack to Coffee. Inside Cabinet.
			44	114-41-8	Screw Hex Hd. Mach (1/4-20 x 1/2).
			45	460461	Machine Gasket.



Item No.	Part No.	Description	Item No.	Part No.	Description
1	750132	Assembly Complete. Snack Shelf w/o Spirals.		460347-20	Price Tabs. All \$2.20 - \$2.25.
	600471	Snack Shelf Only.		460347-21	Price Tabs. All \$2.30 - \$2.35.
2	300137	Screw Shelf Roller.		460347-22	Price Tabs. All \$2.40 - \$2.45.
3	440277	Shelf Roller.		460347-23	Price Tabs. All \$2.50 - \$2.55.
4	437-41	Keps Nut (1/4-28).		460347-24	Price Tabs. All \$2.60 - \$2.65.
5	305-8R6	Screw Pan Hd. Phillips Plastite (8-16 x 3/8).		460347-25	Price Tabs. All \$2.70 - \$2.75.
6	360138-1	Vend Motor Complete (Gray & White).		460347-26	Price Tabs. All \$2.80 - \$2.85.
9	305-7R8	Screw Pan Hd. Phillips Plastite (#7 x 1/2).		460347-27	Price Tabs. All \$2.90 - \$2.95.
10	201576	Shelf Plug Bracket.		460347-28	Price Tabs. All \$3.00 - \$3.05.
11	680334	Harness Complete. Pastry Shelf.		460529	Price Tabs. French.
12	276-8R4	Screw Pan Hd. Phillips Self-Tap (8-32 x 1/4).		460540	Price Tabs. Mexico.
13	640101-1	Spacer Snack Shelf.		460561	Price Tabs. Spanish.
14	440285	Price and Selection Tab Holder.		460727	Price Tabs. Italian.
15	460398	Item Tabs.		460644	Price Tabs. English.
16	460347	Price Tabs. Assorted 25¢ - \$1.50.	17	400165-1	Snack Spiral. 4 Space. Chrome
	1460000-10	Price Tabs. Assorted \$3.25 - \$5.50		400124-1	Snack Spiral. 6 Space. Chrome
	460347-1	Price Tabs. All 30¢ - 35¢.		400125-1	Snack Spiral. 8 Space. Chrome
	460347-2	Price Tabs. All 40¢ - 45¢.		400126-1	Snack Spiral. 10 Space. Chrome
	460347-3	Price Tabs. All 50¢ - 55¢.	18	440287	Spiral Lock.
	460347-4	Price Tabs. All 60¢ - 65¢.	19	201534	Front Support only.
	460347-5	Price Tabs. All 70¢ - 75¢.	20	660330-3	Product Rail Assembly. For use w/Pastry Spiral
	460347-6	Price Tabs. All 80¢ - 85¢.		440148-2	Plastic Rail Only.
	460347-7	Price Tabs. All 90¢ - 95¢.	21	200913	Rear Support Bracket Only.
	460347-8	Price Tabs. All \$1.00 - \$1.05.	22	750083-1	Kit, Can Dispenser Assembly.
	460347-9	Price Tabs. All \$1.10 - \$1.15.	23	440201	Drive Cam. Rear
	460347-10	Price Tabs. All \$1.20 - \$1.25.	24	751-31	Retaining Ring. #31.
	460347-11	Price Tabs. All \$1.30 - \$1.35.	25	440200	Drive Cam. Front.
	460347-12	Price Tabs. All \$1.40 - \$1.45.	26	640109	Cam, Mounting Brkt. & Spring Assembly.
	460347-13	Price Tabs. All \$1.50 - \$1.55.	27	600308-1	Can Dispenser. Trough only.
	460347-14	Price Tabs. All \$1.60 - \$1.65.	28	300184	Shoulder Bushing.
	460347-15	Price Tabs. All \$1.70 - \$1.75.		277-10R8	Screw Type 23 (#10-32 x 1/2).
	460347-16	Price Tabs. All \$1.80 - \$1.85.	29	400094-1	Actuator Wire.
	460347-17	Price Tabs. All \$1.90 - \$1.95.	30	440196	Price and Selection Trim.
	460347-18	Price Tabs. All \$2.00 - \$2.05.	31	440199	Stop Lever.
	460347-19	Price Tabs. All \$2.10 - \$2.15.	32	440198	Leg, Top Can Guide & Sign Trim.
			33	440197	Top, Can Guide & Sign Trim.

candy shelf

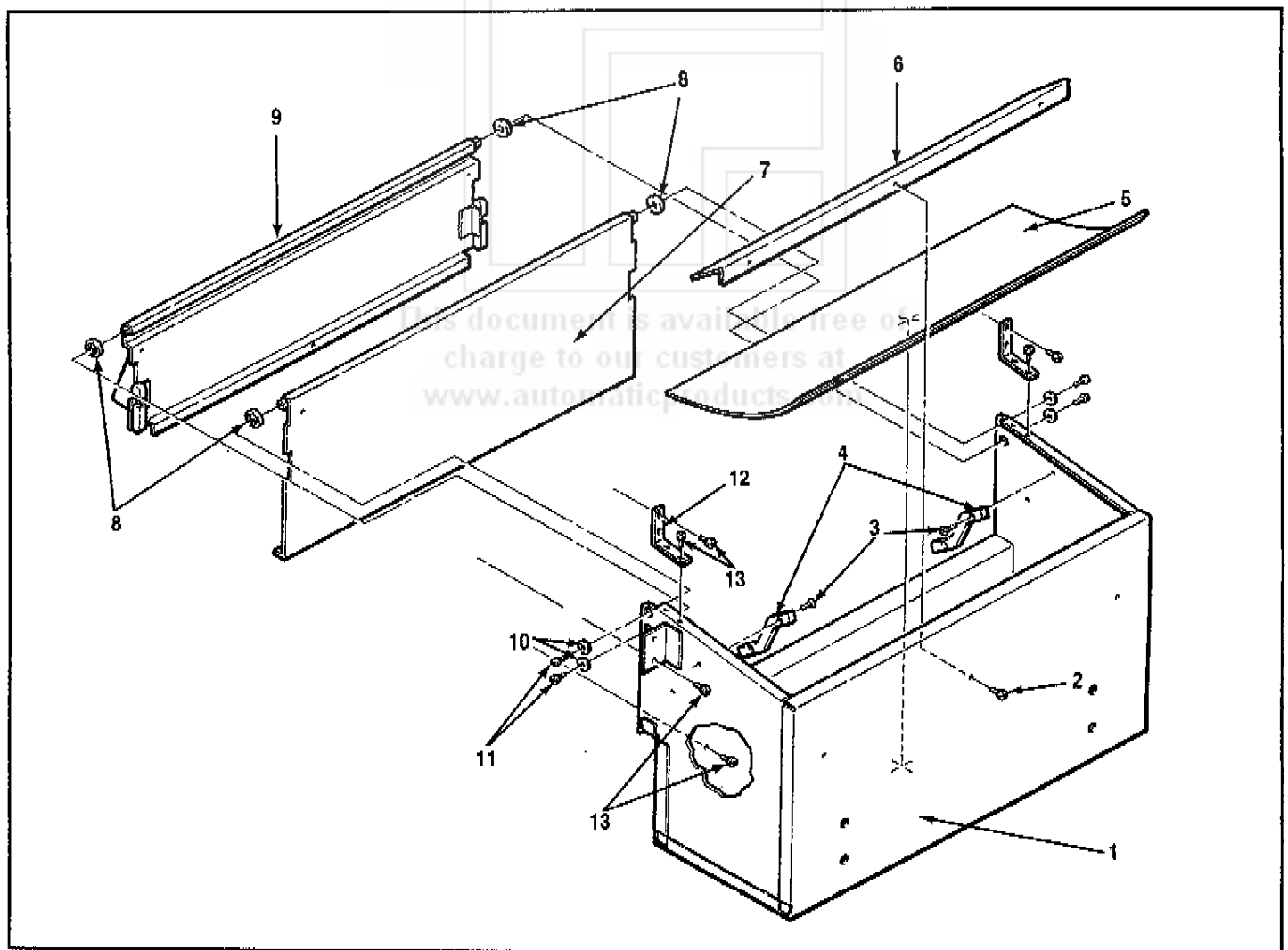


Item No.	Part No.	Description	Item No.	Part No.	Description
1	750133	Assembly Complete. Candy Shelf w/o Spirals.		460347-21	Price Tabs. All \$2.30 - \$2.35
2	300137	Screw, Shelf Roller.		460347-22	Price Tabs. All \$2.40 - \$2.45.
3	440277	Shelf Roller.		460347-23	Price Tabs. All \$2.50 - \$2.55.
4	437-41	Keps Nut (1/4 x28).		460347-24	Price Tabs. All \$2.60 - \$2.65.
5	440287	Spiral Lock.		460347-25	Price Tabs. All \$2.70 - \$2.75.
6	400116-1	Candy Spiral. 8 Space. Chrome		460347-26	Price Tabs. All \$2.80 - \$2.85.
	400117-1	Candy Spiral. 10 Space. Chrome		460347-27	Price Tabs. All \$2.90 - \$2.95.
	400118-1	Candy Spiral. 12 Space. Chrome		460347-28	Price Tabs. All \$3.00 - \$3.05.
	400119-1	Candy Spiral. 16 Space. Chrome		460529	Price Tabs. French.
	400134-1	Candy Spiral. 20 Space. Chrome		460540	Price Tabs. Mexico.
	400173-1	Candy Spiral. 6 Space. Chrome		460727	Price Tabs. Italian.
7	460398	Item Tabs.		460644	Price Tabs. English.
8	460347	Price Tabs. Assorted 25¢ - \$1.50.	9	440262	Price and Selection Tab Holder.
	1460000-10	Price Tabs. Assorted \$3.25 - \$5.50	10	305-8R6	Screw Pan Hd. Phillips Plastite (8-16 x 3/8).
	460347-1	Price Tabs. All 30¢ - 35¢.	13	360138-1	Vend Motor Complete (Gray & White).
	460347-2	Price Tabs. All 40¢ - 45¢.		360155-1	Vend Motor (Half Cycle) Brown/Black.
	460347-3	Price Tabs. All 50¢ - 55¢.		750137	Kit, Half Cycle. Add On.
	460347-4	Price Tabs. All 60¢ - 65¢.	14	305-7R8	Screw Pan Hd. Phillips Plastite (#7 x 1/2).
	460347-5	Price Tabs. All 70¢ - 75¢.	15	201571	Shelf Plug Bracket.
	460347-6	Price Tabs. All 80¢ - 85¢.	16	680335	Harness Complete. Candy Shelf.
	460347-7	Price Tabs. All 90¢ - 95¢.	17	276-8R4	Screw Pan Hd. Phillips Self-Tap (8-32 x 1/4).
	460347-8	Price Tabs. All \$1.00 - \$1.05.	18	440141-1	Candy Product Pusher.
	460347-9	Price Tabs. All \$1.10 - \$1.15.	19	660503-1	Assembly Product Guide For Use w/Half Cycle Motor.
	460347-10	Price Tabs. All \$1.20 - \$1.25.		660296-1	Product Guide Assembly. For use with in Mints.
	460347-11	Price Tabs. All \$1.30 - \$1.35.	20	660191-2	Assembly Product Rail, for use with a Candy Spiral.
	460347-12	Price Tabs. All \$1.40 - \$1.45.			Plastic Rail only.
	460347-13	Price Tabs. All \$1.50 - \$1.55.	21	440148-2	Front Support Bracket Only.
	460347-14	Price Tabs. All \$1.60 - \$1.65.	22	201258	Assembly, Candy Spacer.
	460347-15	Price Tabs. All \$1.70 - \$1.75.	23	660178-2	Assembly, Candy Rail. Use w/Half Cycle Motor. Export.
	460347-16	Price Tabs. All \$1.80 - \$1.85.		660178-3	
	460347-17	Price Tabs. All \$1.90 - \$1.95.			
	460347-18	Price Tabs. All \$2.00 - \$2.05.			
	460347-19	Price Tabs. All \$2.10 - \$2.15.			
	460347-20	Price Tabs. All \$2.20 - \$2.25.			

delivery bin

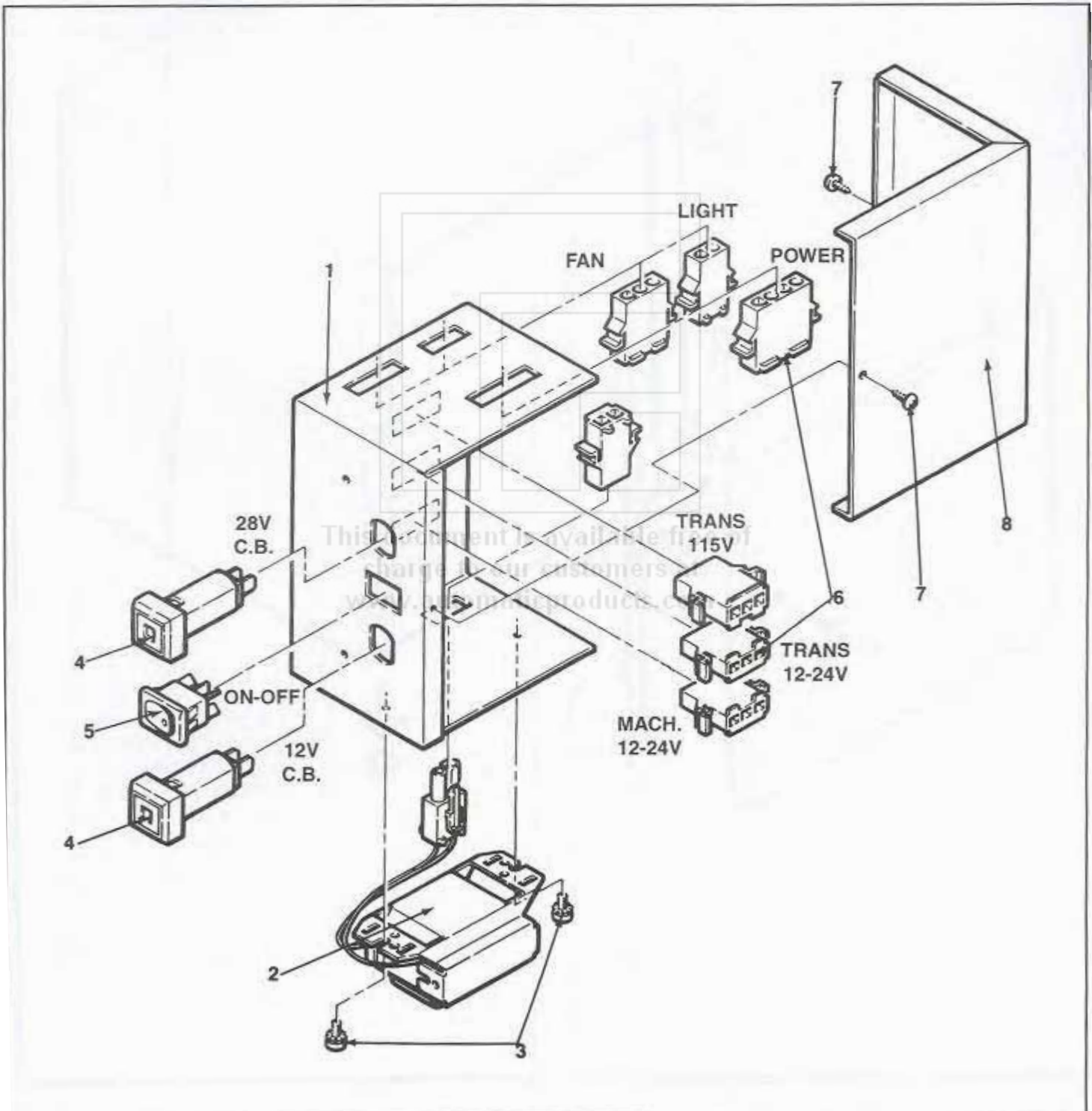
Item No.	Part No.	Description
1	660352 600473	Assembly Complete. Delivery Bin. Delivery Bin Only.
2	276-8R4	Screw, Pan Hd. Phillips Self-Tap (8-32 x 1/4).
3	262-8R8	Screw, Flat Hd. Phillips Type 23 (8-32 x 1/2).
4	440295	Delivery Bin Door Cam.
5	201635	Delivery Bin Product Deflector.
6	201580	Rear Bin Barrier.

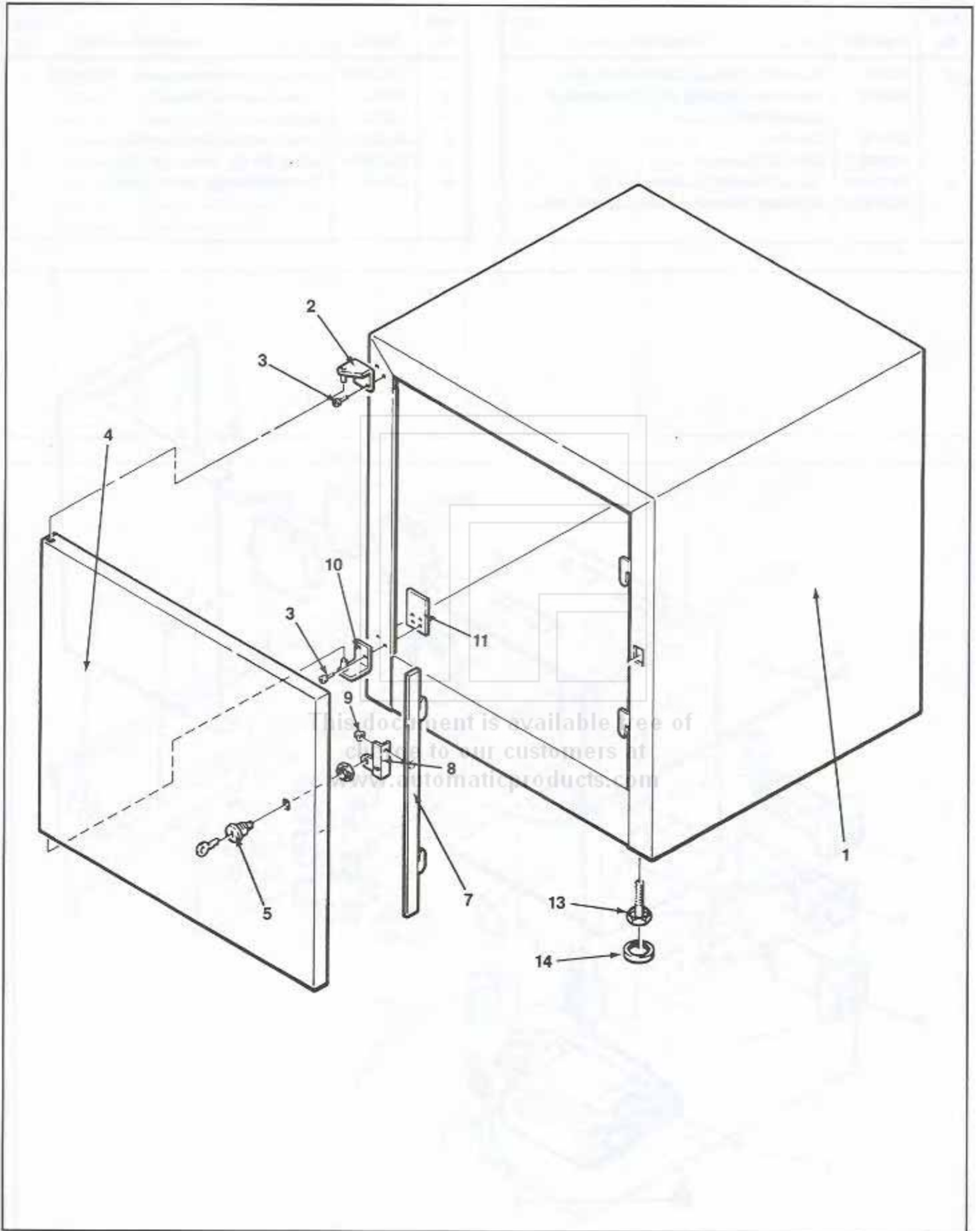
Item No.	Part No.	Description
7	201581	Inner Door.
8	440129	Door Bearing.
9	640138	Complete Delivery Push Door.
10	420010-9	Washer.
11	276-8R8	Screw Pan Hd. Phillips Self-Tap (8-32 x 1/2).
12	201638	Delivery Bin Anchor Strap.
13	276-8R6	Screw, Pan Hd. Phillips Self-Tap (8-32 x 3/8).



Item No.	Part No.	Description
1	660462	Assembly Complete. Main Junction Box.
	660462-1	Assembly Complete. Main Junction Box. Export Only.
	202179	Box Only
2	460642	Decal (Not Shown)
	680278-6	Ballast Assembly Complete. 8 Watts.
	680278-5	Assembly Complete. Ballast. Export Only.

Item No.	Part No.	Description
3	276-8R4B	Screw, Pan Hd. Phillips Sems. (8-32 x 1/4).
4	380241	Circuit Breaker. 3 Amp.
5	380243	Toggle Switch.
6	680479	Harness, Under Shelf, Complete.
7	200-6R6	Screw, Rd. Hd. Phillips (6 x 3/8)
8	202180	Cover Ballast and Switch Bracket.





Cabinet-base

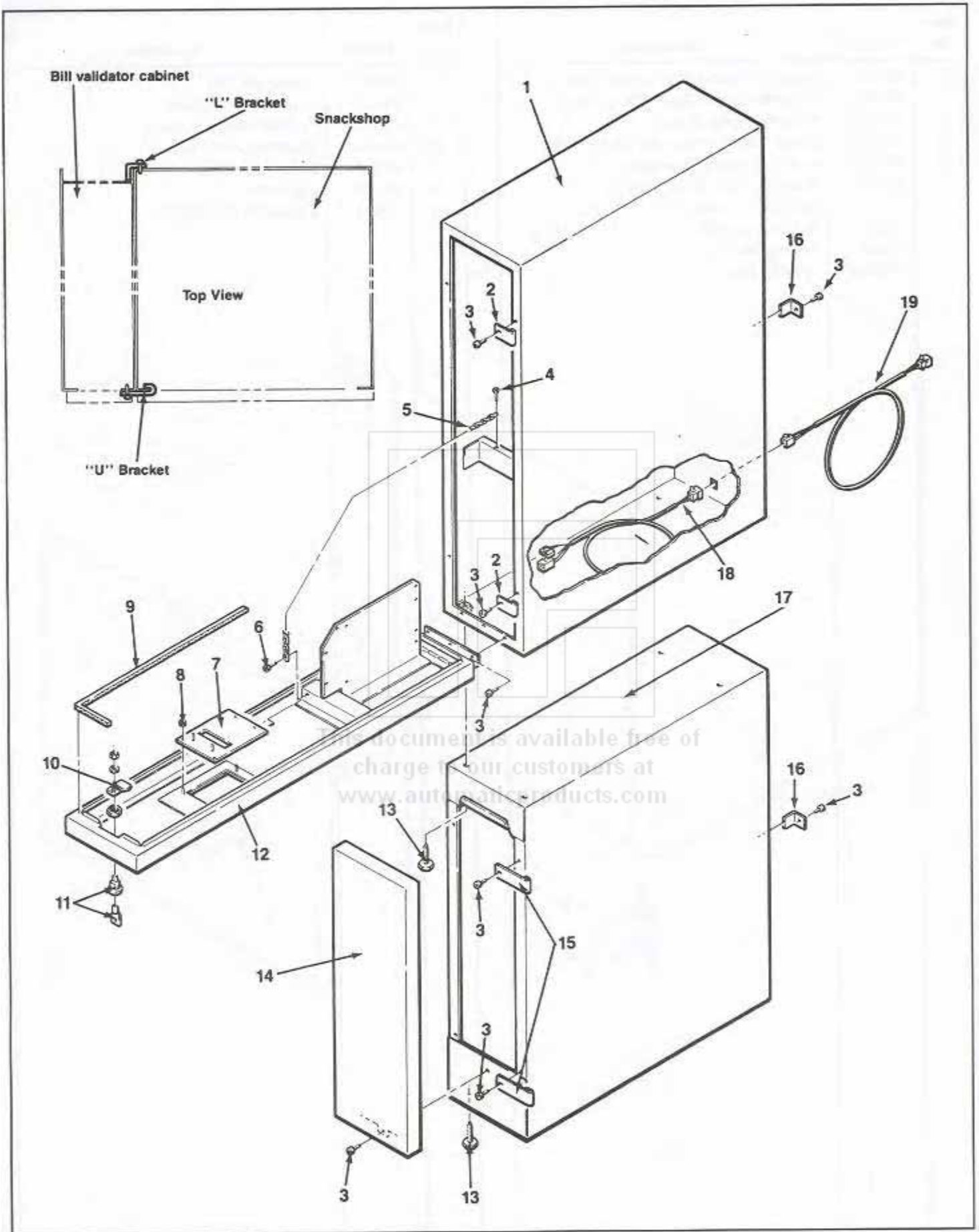
Item No.	Part No.	Description
1	600494	Assembly, Cabinet Base. Without Shelf.
	600493	Assembly, Cabinet Base. With a Shelf.
2	640146	Assembly, Upper Hinge.
3	202-6R8	Screw, Flat HD. Phillips #23 (6-32 x 5/16)
4	600593	Assembly, Cabinet Base Door.
	600593-1	Assembly, Cabinet Base Door. Use with Microwave.
5	420020	Ace Lock w/2 Keys.
	420020-1	Ace Lock w/1 Key.
	420020-2	Ace Lock Only.

Item No.	Part No.	Description
7	600572-1	Locking Bar Only.
8	640173	Assembly Locking Cam.
9	420217	Push-On Washer Fastener.
10	640145	Assembly Lower Hinge.
11	201808	Lower Hinge Support.
13	300174	Leg Leveler.
14	420177	Leg Leveler Cap. Rubber.



This document is available free of charge to our customers at www.automaticproducts.com

bill validator cabinet & base



bill validator cabinet & base

Item No.	Part No.	Description
1	600514	Cabinet Only. Specify Color.
2	201775	Front Mounting Clip.
3	200-6R6	Screw, Ph Rd Hd Type AB Zn.
4	2648R9	Screw Oval Type 23 Phil. (8 x 9/16).
5	420047	Casting Stop Chain (10-5/16).
6	276-8R6	Screw, Pan Hd Type 23 Phil (8 x 3/8).
7	600513	Assembly Ardac Mounting Plate.
8	4048	Hex Nut (8-32).
9	460041-1	Adhesive Bracket Foam (75 Inches).
10	201718	Cam Door Lock.
11	420020	Door Lock w/2 Keys.

Item No.	Part No.	Description
	420020-1	Door Lock w/1 Key.
	420020-2	Door Lock Only.
12	600515	Door Only. Specify Color.
13	300174	Leg Leveler.
14	201803	Base Front Cover. Specify Color.
15	201775-1	Front Mounting Clip.
16	201805	Validator Cabinet Back Mounting Clip.
17	600516	Base Cabinet. Specify Color.
18	680361	Cabinet Harness.
19	680362	Cabinet Interconnect Harness.

BILL VALIDATOR CABINET: The bill validator cabinet and base may be used in conjunction with a "C" series snack machine and base. The bill validators used in the cabinet are 24 volts and should be purchased from the manufacturers.

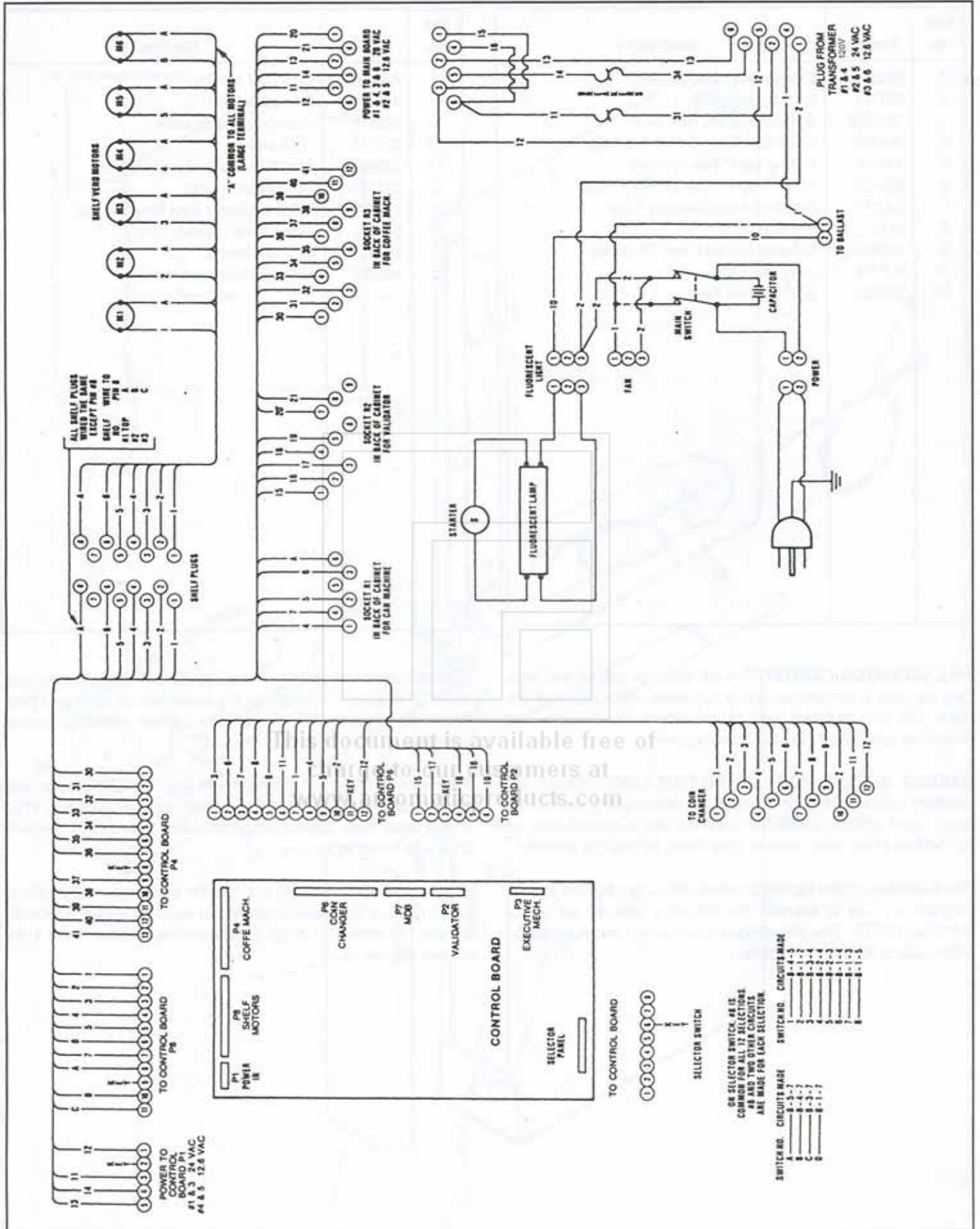
CABINET & BASE HOOK-UP INSTRUCTIONS: Secure the validator cabinet to the top of the base cabinet using the four leg levers (Item #13) provided. The other four leg levers are used on the bottom of the base cabinet. (Use these to level the cabinet.)

The illustration on the top left corner of the parts page will show a diagram on how to connect the mounting clips to the snack machine. (NOTE: The bill validator cabinet can be mounted on either side of the snack machine.)

Open the snack machine door and slip the shorter front mounting clips ("U" brackets - Item #2) on the snack cabinet edge and then fasten the clips to the bill validator cabinet with the screws provided.

Remove the bill validator base cover (Item #14) and open the snack base door. Slip the longer front mounting clips (Item #15) on the snack base cabinet edge and fasten them to the validator base with the other screws.

The "L" brackets (Item #16) will hold the back together by drilling a hole (3/32) in the snack machine and securing the brackets with a screw. (As shown). Connect the interconnect harness (Item #19) to each cabinet.



P1-POWER SUPPLY

P1-1	24 VAC	NEUTRAL
P1-2	KEY-NO	CONNECTION
P1-3	24 VAC	HOT
P1-4	12 VAC	NEUTRAL
P1-5	12 VAC	HOT

P2-VALIDATOR

P2-1	Credit input
P2-2	Enable
P2-3	Key
P2-4	Escrow
P2-5	Credit neutral
P2-6	Ground

P3-EXECUTIVE COIN MECH INTERFACE

P3-1	24Vac return
P3-2	Key - no connection
P3-3	24Vac hot
P3-4	Enable jumper to pin 6
P3-5	No connection
P3-6	Enable jumper to pin 4
P3-7	No connection
P3-8	Receive + (RX+)
P3-9	Receive - (RX-)
P3-10	Transmit +(TX+)
P3-11	Transmit -(TX-)

P6 COIN MECHANISM

P6-1	To coin mech pin #3	Send line
P6-2	To coin mech pin #6	Accept enable
P6-3	To coin mech pin #7	.25 dispense line
P6-4	To coin mech pin #8	.10 dispense line
P6-5	To coin mech pin #9	.05 dispense line
P6-6	To coin mech pin #11	reset
P6-7	To coin mech pin #1	+5Vdc
P6-8	To coin mech pin #4	Interrupt line
P6-9	To coin mech pin #5	Data line
P6-10	To coin mech pin #2&13	dc ground
P6-11	Key - no connection	
P6-12	To coin mech pin #15	24Vdc hot

P7 - MDB

P7-1	+vdc
P7-2	key
P7-3	rxd + txd ret.
P7-4	RXD
P7-5	TXD
P7-6	+VDC RET.
P7-7	no connection

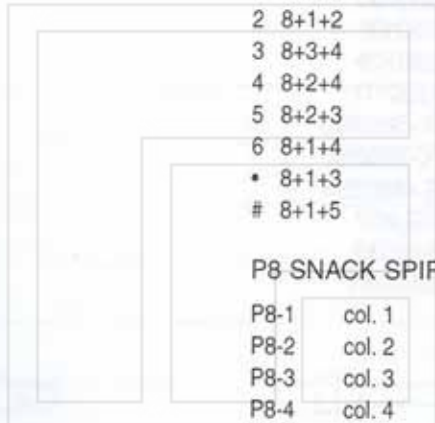
KEYPAD SELECTION PANEL

Pin * is common for all combinations-each selection is a combination of pin 8 plus two other pins

- A 8+5+7
- B 8+4+7
- C 8+3+7
- D 8+1+2
- 1 8+4+5
- 2 8+1+2
- 3 8+3+4
- 4 8+2+4
- 5 8+2+3
- 6 8+1+4
- * 8+1+3
- # 8+1+5

P8 SNACK SPIRALS (ct. snacks)

P8-1	col. 1
P8-2	col. 2
P8-3	col. 3
P8-4	col. 4
P8-5	col. 5
P8-6	col. 6
P8-7	col. 7
P8-8	row a
P8-9	key
P8-10	row b
P8-11	row c



connectors



CABLE TIE
460044



**FEMALE QUICK
DISCONNECT TERMINAL**
9/64-380213
3/16-380001
1/4-380003



**FEMALE PLUG
TERMINAL**
LARGE-380004
SMALL-380129



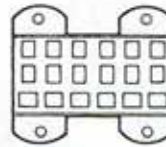
MALE PLUG TERMINAL
LARGE-380005
SMALL-380130



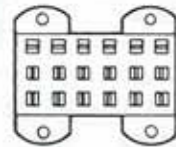
**MOLEX MALE
CONNECTOR PLUG**
3 PIN .093-380034
6 PIN .062-380106
9 PIN .062-380108
12 PIN .062-380110
2 PIN .093-380190
6 PIN .093-380036
9 PIN .093-380038
12 PIN .093-380040
15 PIN .093-380042
2 PIN .093 INTL-380281
9 PIN .093 INTL-380282



**MOLEX FEMALE
CONNECTOR RECEPTACLE**
2 PIN .093-380189
3 PIN .093-380035
6 PIN .062-380107
9 PIN .062-380109
12 PIN .062-380111
2 PIN .093 INTL-380280
3 PIN .093 INTL-380288
4 PIN .093 INTL-380293
6 PIN .093-380037
9 PIN .093-380039
12 PIN .093-380041



MAIN PRODUCT SHELF
380235



**MAIN PRODUCT SHELF
PLUG**
380247



**AMP IN-LINE
CONNECTOR**
5 PIN-380232-8
6 PIN-380232-9
11 PIN-380232-5
13 PIN-380232-2



BUTT CONNECTOR
380021



**WIRE
CONNECTOR**
380214



**CONNECTOR
POLARIZING KEY**
380233



**MOLEX CRIMP
TERMINAL**
380234

**MOUNTING TYPE
CABLE TIE**
380078